

TECHNICAL SPECIFICATIONS

RESPONSE

Frequency response (1 W @ 1 m)	57 - 18.500 Hz ± 3 dB
Cut-off frequency (at -10 dB)	45 Hz
Recommended cut-off frequency in active	2.000 Hz - 24 dB
Frequency resonance of the enclosure	65 Hz
Sensibility (dB SPL 1 W @ 1 m) Bandwidth	101
Sensibility (dB SPL 1 W @ 1 m) LF	101
Sensibility (dB SPL 1 W @ 1 m) HF	104

IMPEDANCE

Impedance (Bandwidth)	4 Ohms
Impedance LF Transducer	8 Ohms
Impedance HF Transducer	16 Ohms

POWER

Power (Bandwidth)	850 W AES
Power (LF)	800 W AES
Power (HF)	100 W AES
Máx. (dB SPL 1 W @ 1 m) Bandwidth	134 / 128
Máx. (dB SPL 1 W @ 1 m) LF	133 / 127
Máx. (dB SPL 1 W @ 1 m) HF	134 / 128

COVERAGE

Horizontal (- 6 dB)	90°
Vertical (- 6 dB)	40°

TRANSDUCERS

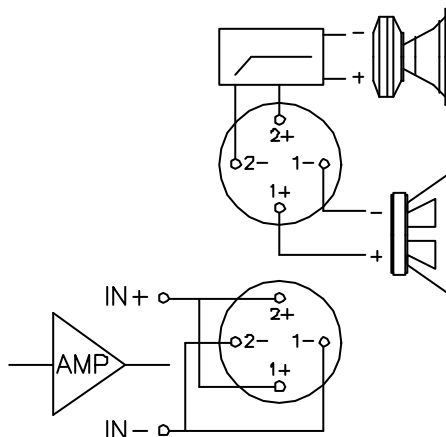
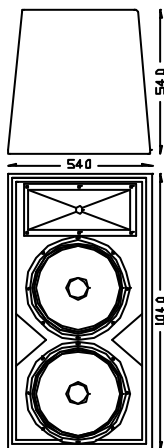
LF Bass Reflex	2 x 15"
HF Compression + horn	1" coil 55 mm

ENCLOSURE

Width/Height/Depth	54 x 104 x 54
Net weight	47 kg.
Built in wood	MDF
Finish painted (water resistant treatment)	Black
Grill perforate steel	Open Cell foam backed

ACCESSORIES

Connectors	2 x NL4
Rigging (Industry standard stainless steel ironworks)	No
Handles	2 Lateral built-in
Floor stand	4 taps
Vase support for stand	No



PX-850 model is a high quality system that provides outstanding resolution, tonal clarity and flat power response for the reproduction of all kind of musical passages.

PX-850 mounts two loudspeaker of 15 " for low frequencies and one 3" driver for the mid and high ones.

Its low distortion level makes it perfect for live systems where all type of musical instruments are needed.

A 40° x 90° coverage will allows us, with only two units, to cover an extensive area with an effective bass response.

The balance of pressure between its two channels relays in an extensive horizontal angle and in a different distance from the system.

The naturalness of the signal throughout the audible bandwidth facilitates the mixing needed for reproduction.

Using the system in passive we achieve an efficient response in frequency and attack, equal to active systems.

Its 4 Ohms impedance allow us to configure a two unit systems with one power amplifier taking maximum advantage of the amplification efficiency.

Trapezoidal enclosure constructed of plywood; furnished with a painting finish; front covered with perforated steel grill, backed with open cell foam to protect against dust. Built-in handles.